

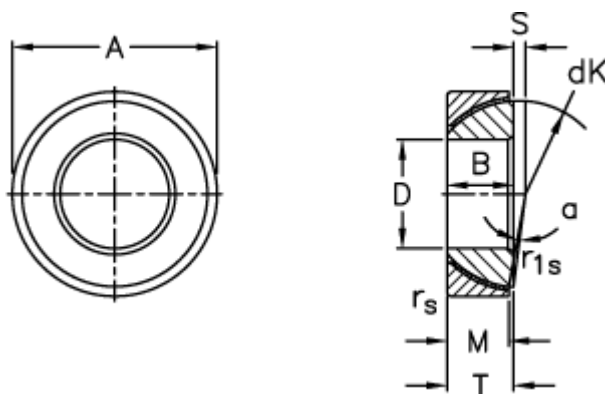
Data Sheet



Article number: 03510030

Description: Fluro Rod end GE 30SW

Measures



A	= 55 0 -0,016	Static load C0 (kN)	= 260
B	= 17	T	= 17 +0,25 -0,40
D	= 30 0 -0,012	Tilt angle	= 4.5
dK	= 49.5	Weight	= 208
Dynamic load C (kN)	= 130		
M	= 15		
rs, r1s min	= 1		
S	= 1.3		